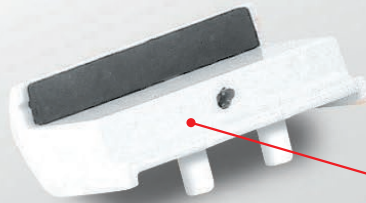
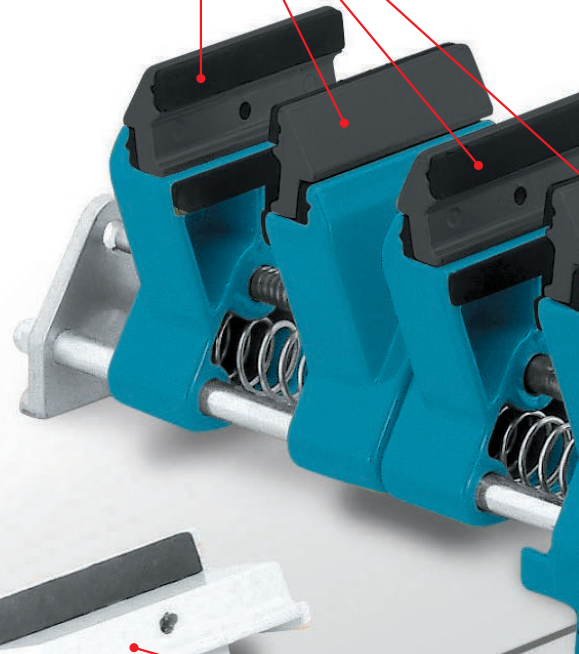
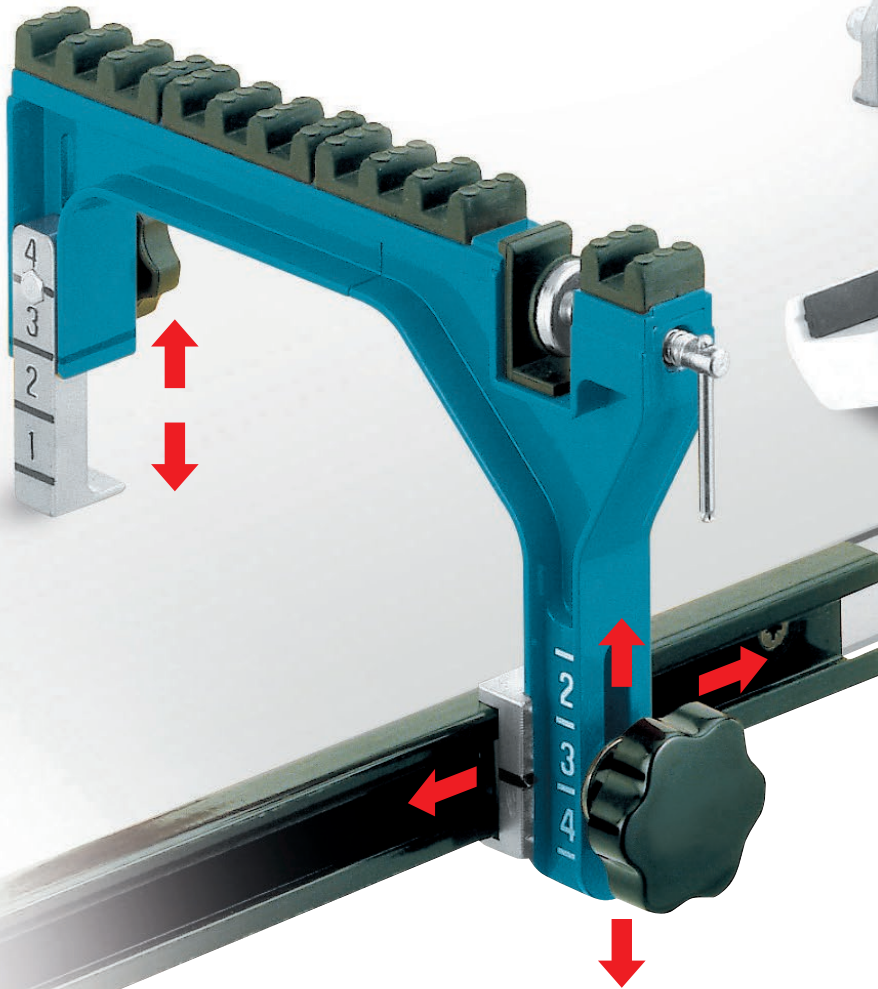


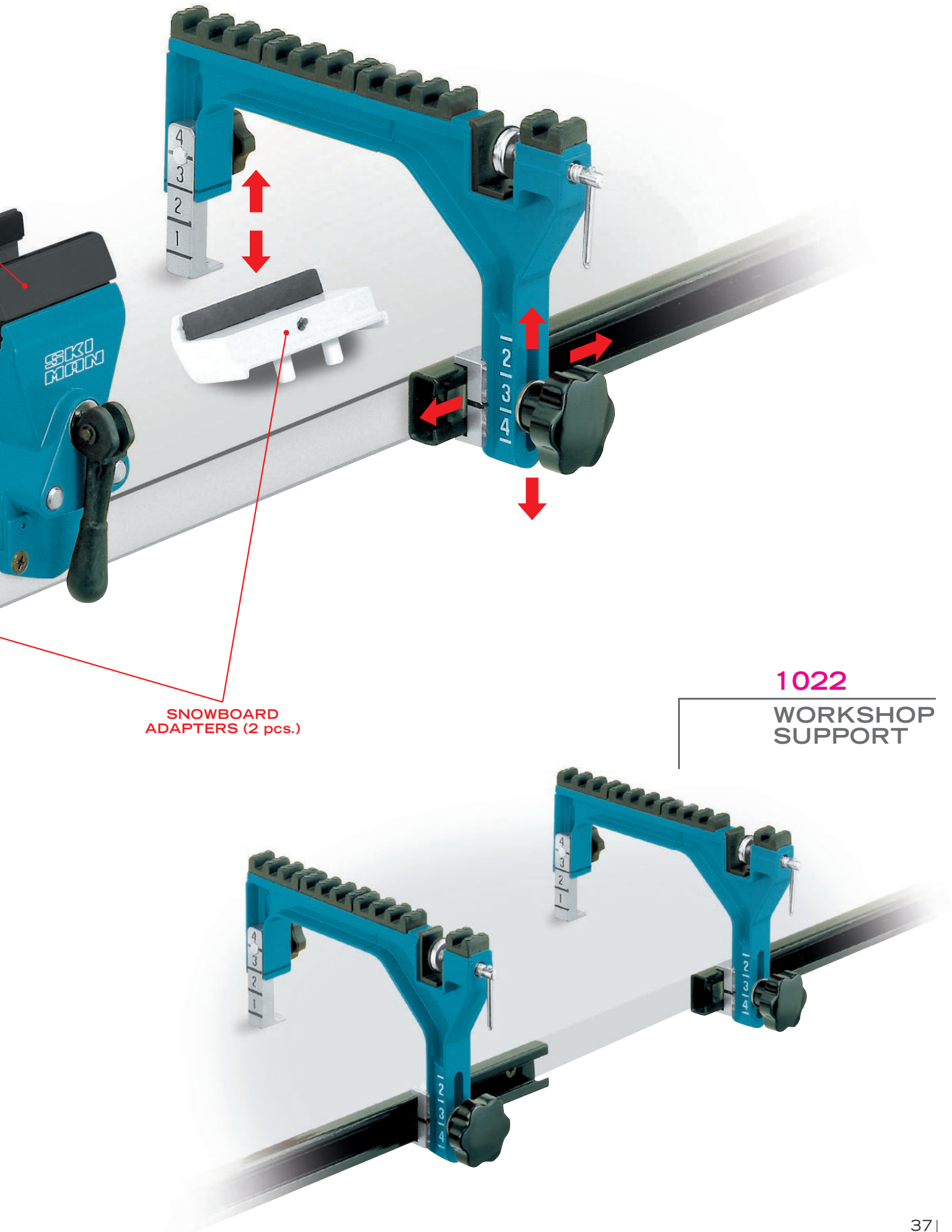
1021

DOUBLE
WORKSHOP VISE

ADAPTERS
FOR SKI BASE TUNING
(4 pcs.)



ADAPTER
FOR WIDE SKIS
(1 pc.)



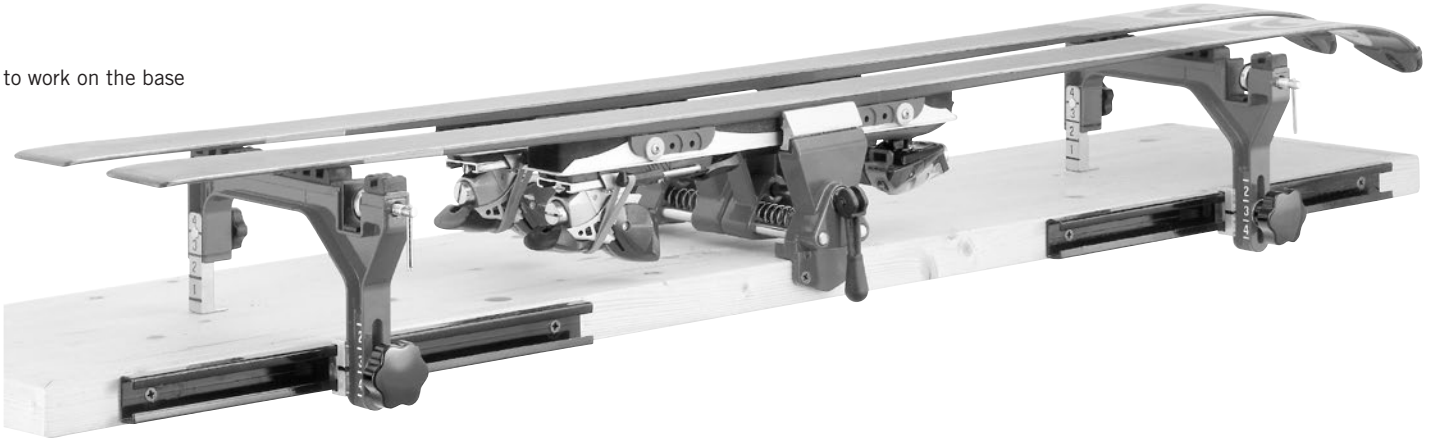
SNOWBOARD
ADAPTERS (2 pcs.)

1022

WORKSHOP
SUPPORT

FOR ALL KIND OF SKIS

to work on the base



to work on the bindings and plates

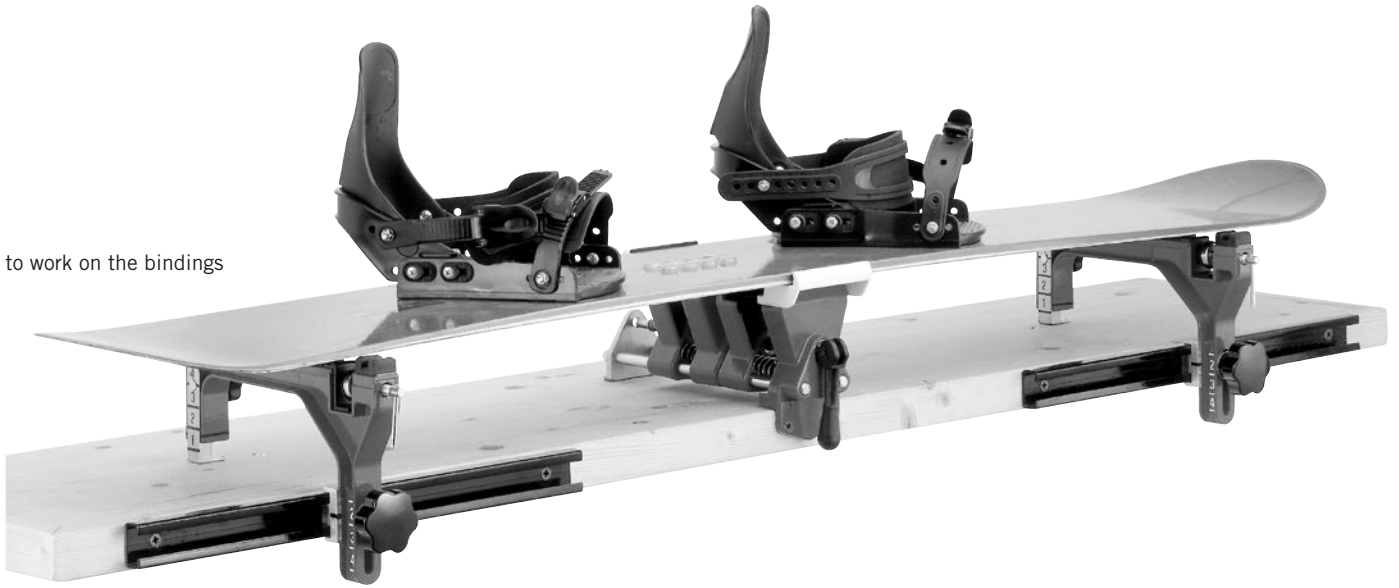


to work on the side edge

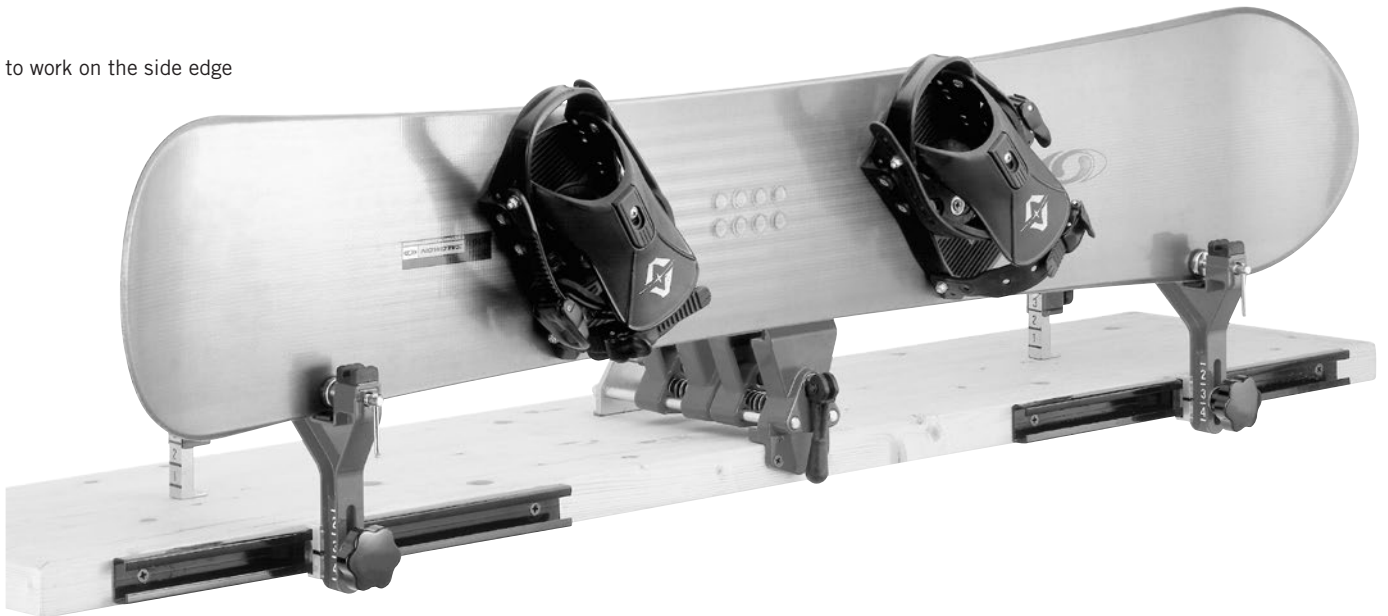


FOR ALL KIND OF SNOWBOARDS

to work on the bindings



to work on the side edge



to work on the base

